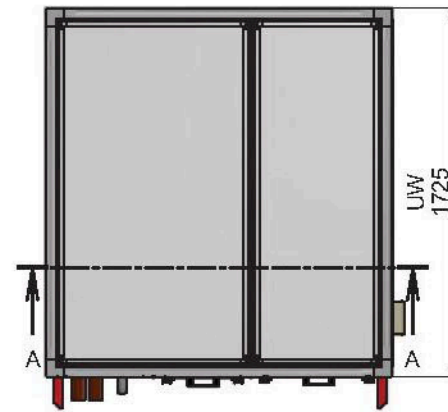
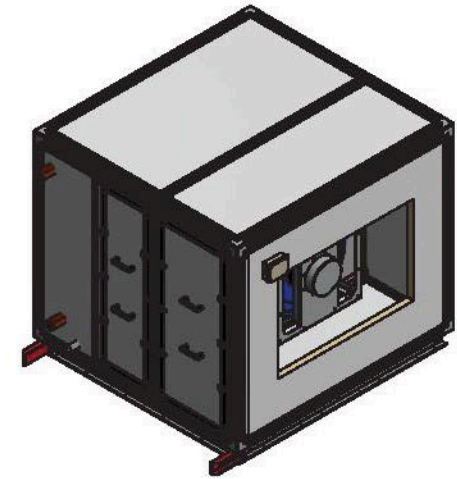


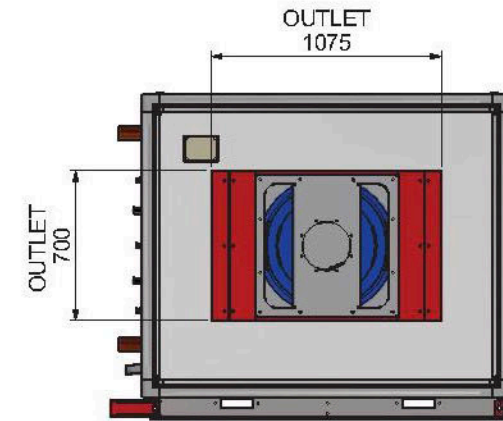
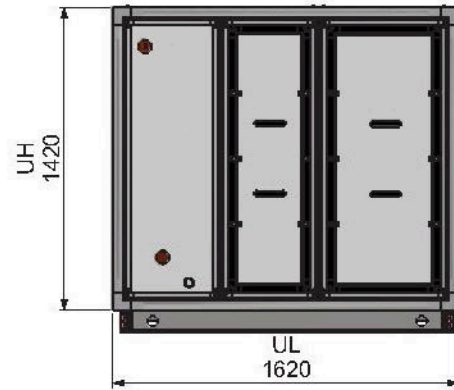
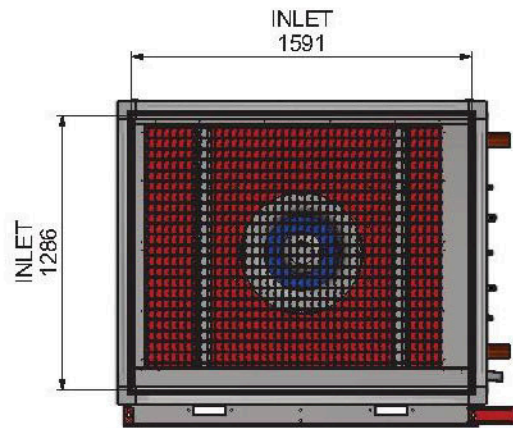
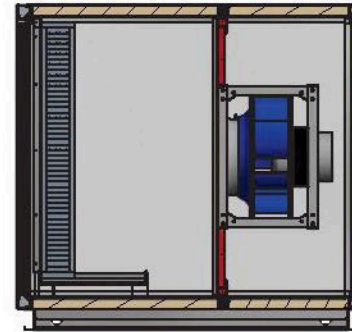
VIEW ISO 1 (1 : 30)



VIEW ISO 2 (1 : 30)



A-A (1 : 25)



MAX S/A (HORIZONTAL) : 1180 X 1215MM
 MAX S/A (VERTICAL) : 480 X 1500MM

UNLESS OTHERWISE SPECIFIED
 DIMENSIONS ARE IN MILLIMETRES
 BELOW AND DECIMAL FRACTIONS
 DO NOT SCALE DRAWING



Rev	By	Date	Description
X00	Toh	08/05/2017	Initial Released

Fantech Pty Ltd. A.C.N. 095 434 024
 45 NESTOR DRIVE, MEACOWBROOK, QUEENSLAND AUSTRALIA 4133
 TELEPHONE (07) 32 999 888 FACSIMILE (07) 32 999 800



DRAWN: Toh DATE: 6/5/2017
 CHKED: Sean DATE: -
 APPRD: JT DATE: -

General Layout
 ME2B-H405G3-FCO,
 GR56Q(175648)x1

DRAWING NO: 868-8010-0405 REV: /00 SCALE: 1 : 25 SIZE: A3